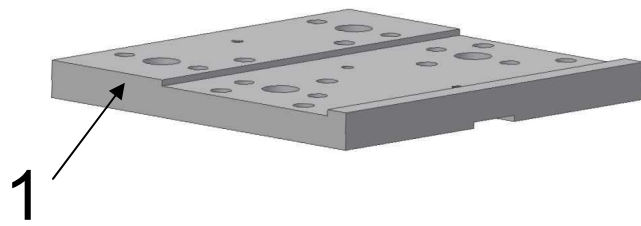
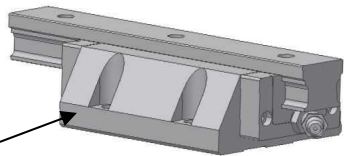


Spare part Meab Mover

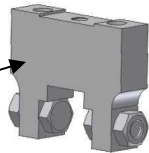
2299.001-002 / 2299.011-012



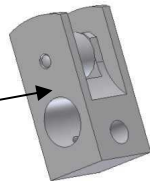
1



2



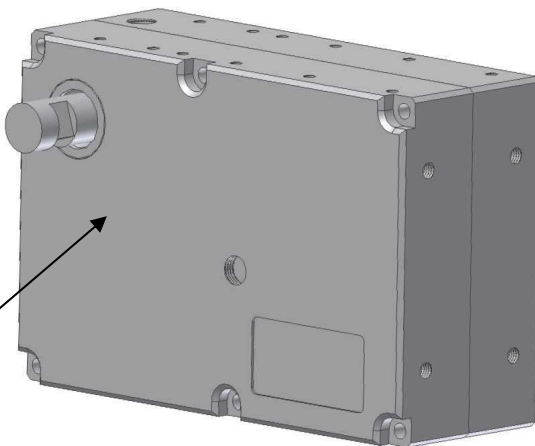
3



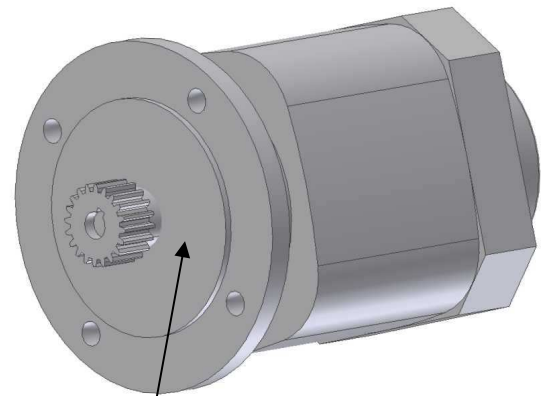
4



5



6



7

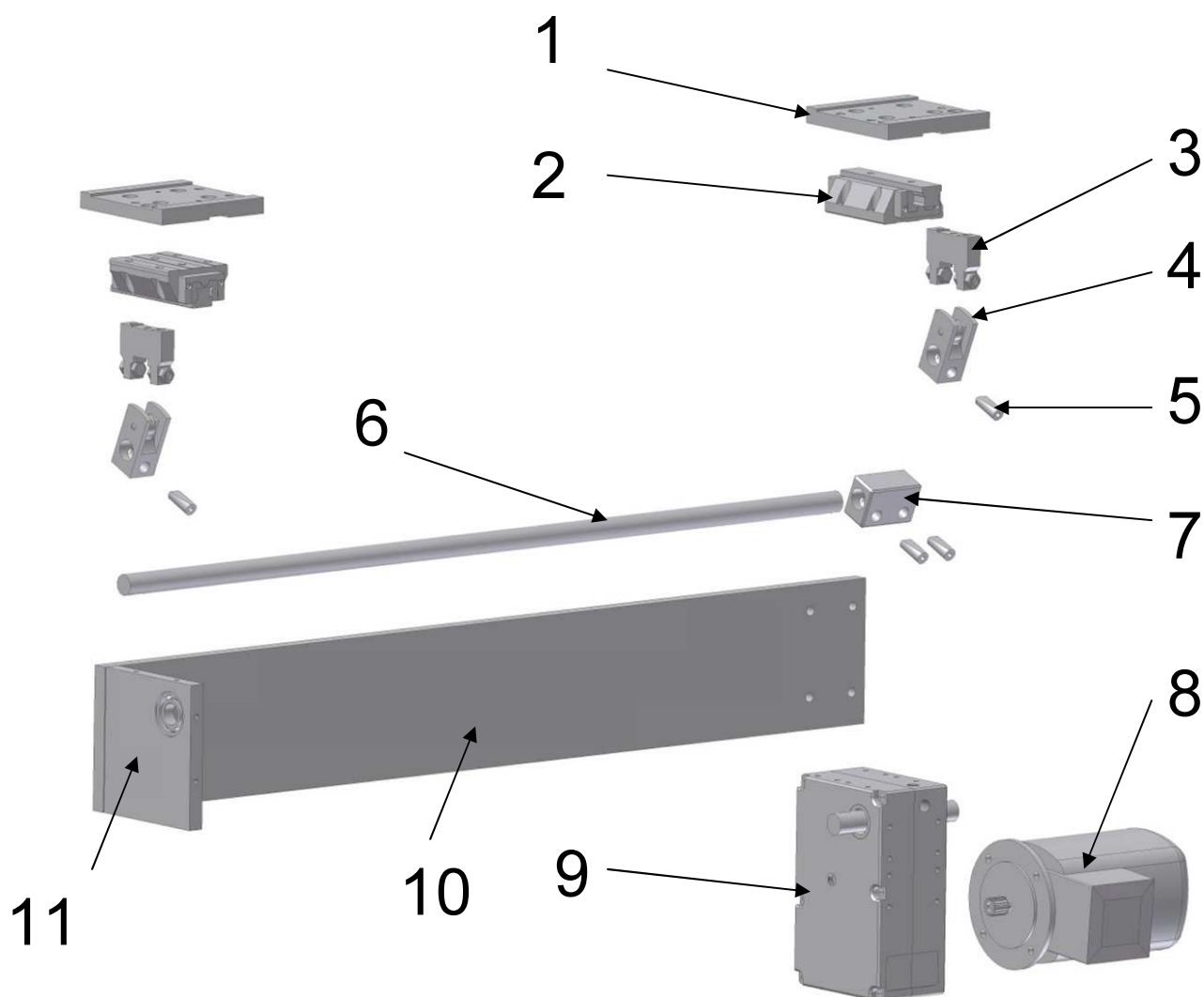
	Art.nummer	Art.namn
1	2299.8080	Plate (singelmont)
2	2299.8070	Linear motion guide THK SHS25LC Schneberger BMB25 Rollco SBI25FLL-K1 Grease (DIN 51502 or 51825)
3	2299.8052	Work driving bow
4	2299.8054	Work driving arm
5	2299.8056	Crank cotter pin incl. acorn nut
6	2299.8025	Basic unit (interchangeable)
7	2299.8029	Motor / Gear-wheel (1x15) Three-phase motor 230/400V 50Hz Size 56 B5 1380 rpm Viton sealing on drive-side of shaft
8	2299.513	Mounting plate (135x500mm)
9	2299.565.*	Alu-profil 90x45 (*500-1200mm)

Gear lubricant:
Omega 690
80W90

Change of oil: 10 000 hours.
Volume: 260 ml

Spare part Meab Mover

2299.121-122 / 2299.221-222



	Art. nr	Art. name
1	2299.8081-R/L	Plate (right and left)
2	2299.8071	Linear motion guide Rollco SBI25FL-K1 Grease (DIN 51502 or 51825)
3	2299.8052	Work driving bow
4	2299.8054	Work driving arm
5	2299.8056	Crank cotter pin incl. acorn nut
6	2299.8059-*	Shaft (*900,1200,1500,1720,2320,2920)
7	2299.8058	Shaft location
8	2299.8029	Motor / Gear-wheel 1x15 Three-phase motor 230/400v 50Hz Size 56 B5 1380 rpm Viton sealing on drive-side of shaft
9	2299.8025	Basic unit (interchangeable)
10	2299.8082-*	Mounting plate (*900,1200,1500,1720, 2320, 2920)
11	2299.8083-1/2	Bearing cage (-1 Pull/125mm or -2/ Push/195mm).
12	2299.565-*	Alu-profil 90x45 (*1300-5000mm)

Gear lubricant::
Omega 690
80W90

Change of oil: 10 000 hours.
Volume: 260 ml