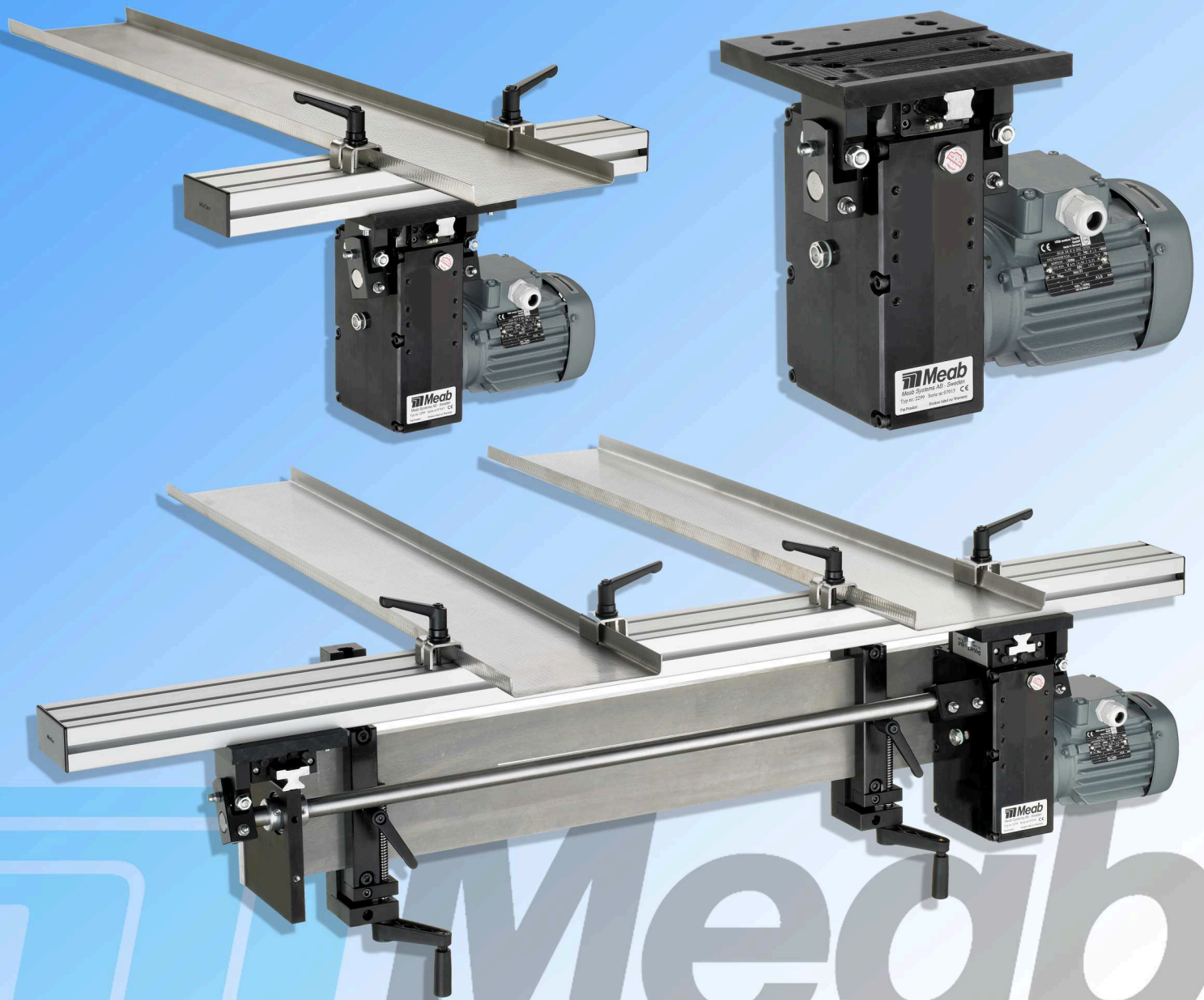


Meab Mover

Electro-Mechanical Transporter



Electro-mechanical transporters

General Information

Meab Systems AB have developed an electro-mechanical transporter that takes care of your problems by removing the scrap and finished parts from the press. The principle behind the electro-mechanical transporter is known as the "tablecloth" effect. The slow motion during the operation and the rapid return result in the material being carried in one direction. The Meab Mover is a compact design and is able to locate the scrap trays where there is a shortage of space, under press tools or between equipment. The simple, robust and flexible design provides a secure, reliable and cost effective solution.

Basic Advantages :

- = Compact design
- = Low maintenance cost
- = Low noise (<70db)
- = Low energy consumption

Designs :

- 2299.001 Vertical gear position
- 2299.002 Horizontal gear position
- 2299.011 Vertical gear position,
with alu-profile and the mounting plate
- 2299.012 Horizontal gear position
with alu-profile and the mounting plate
- 2299.121 Vertical gear position,
2 guides, 1 shaft, alu-profile and mounting plate
- 2299.122 Horizontal gear position,
2 guides, 1 shaft, alu-profile and mounting plate
- 2299.221 Vertical gear position,
2 guides, 2 shafts, alu-profile and mounting plate
- 2299.222 Horizontal gear position,
2 guides, 2 shafts, alu-profile and mounting plate

Technical Data:

Motor:
3 phase 400V
VEM K21R 56G4 B5
Viton seal
0.09 kW
0.51 A
DIN EN 60529

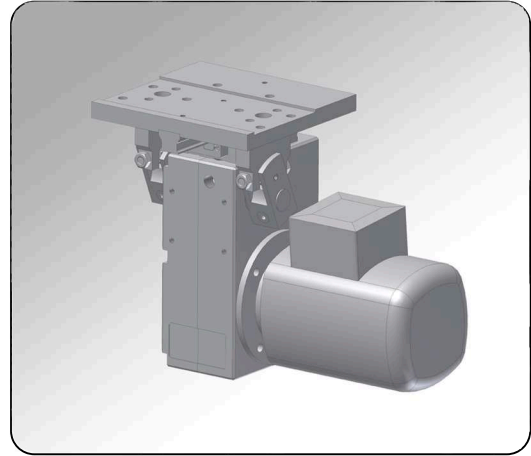
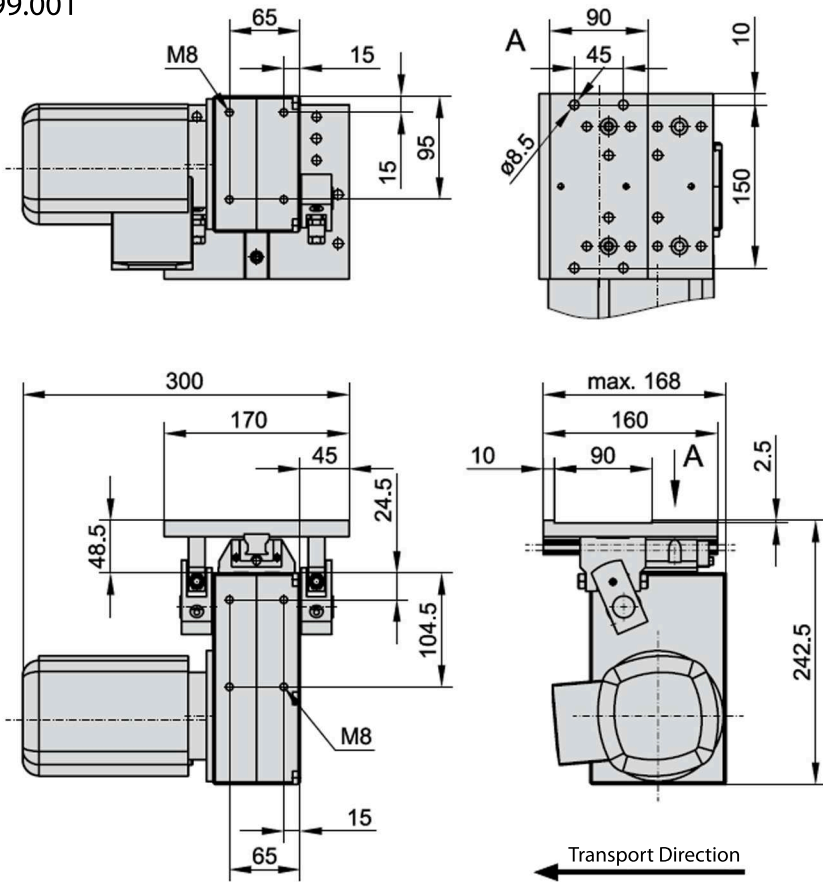
Stroke : 20mm
Conveying speed : 4,5-5m / min
Stroke Frequency : 4/s
Max. tray weight
(incl. profile : 50 Kg
Max. weight (tray weight,
profile ,transport items : 100Kg
Temperatur : -20 till +60°C

Delivery

Meab Mover comes with motor circuit breakers, motor protection over voltage protection and function for the stop of the press.

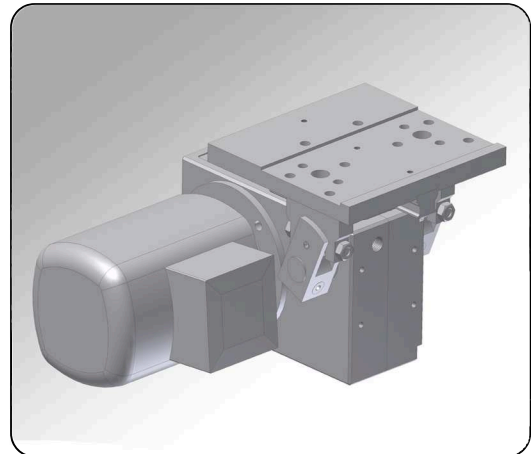
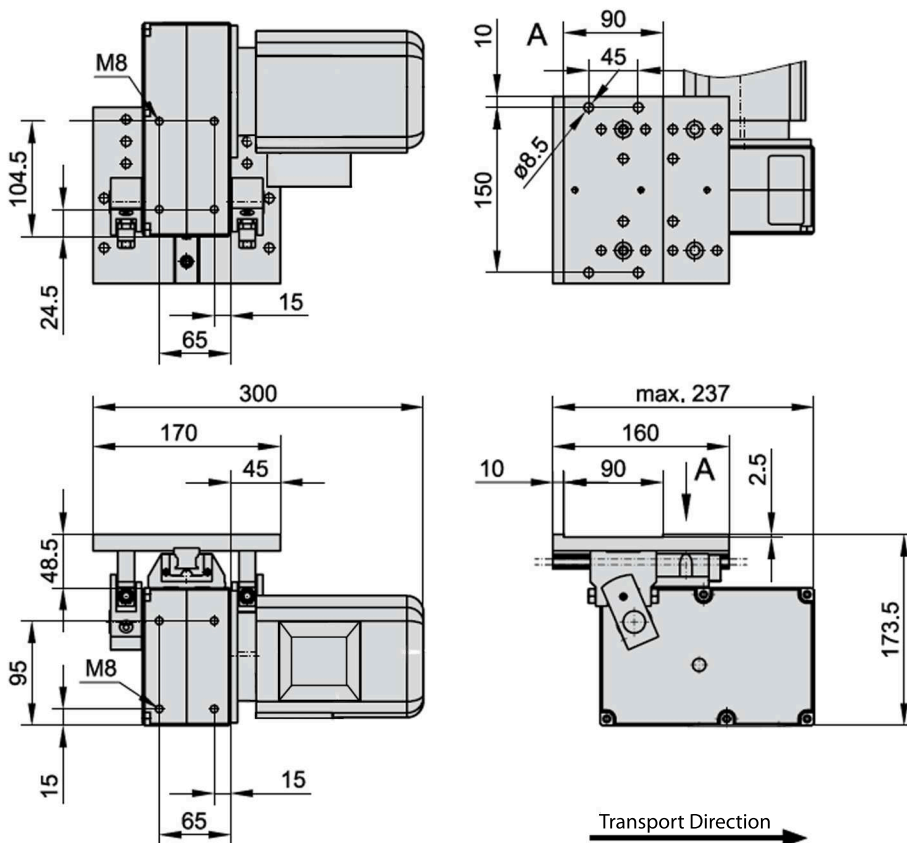


2299.001



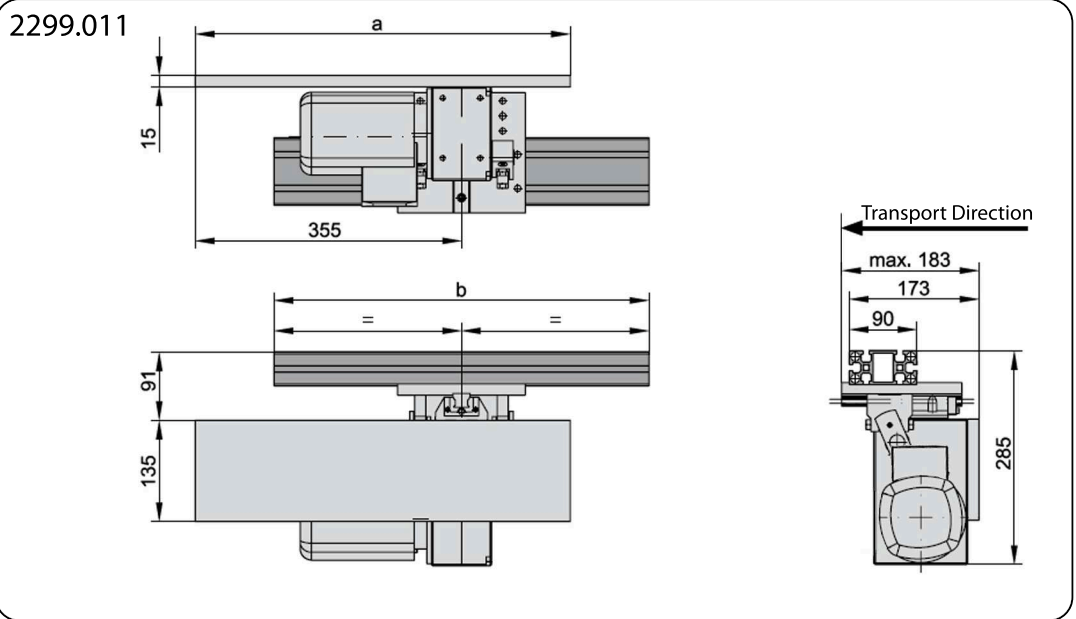
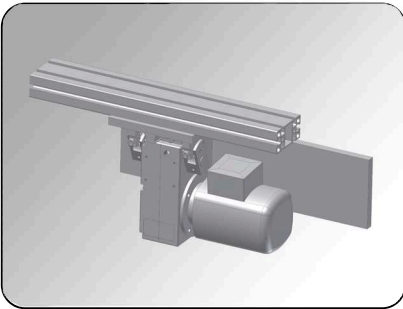
Note :

2299.002



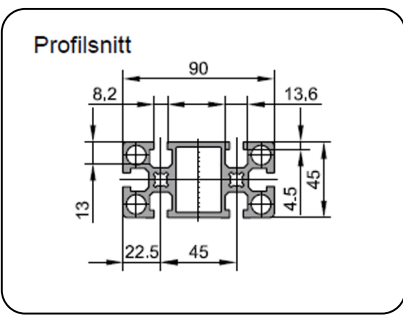
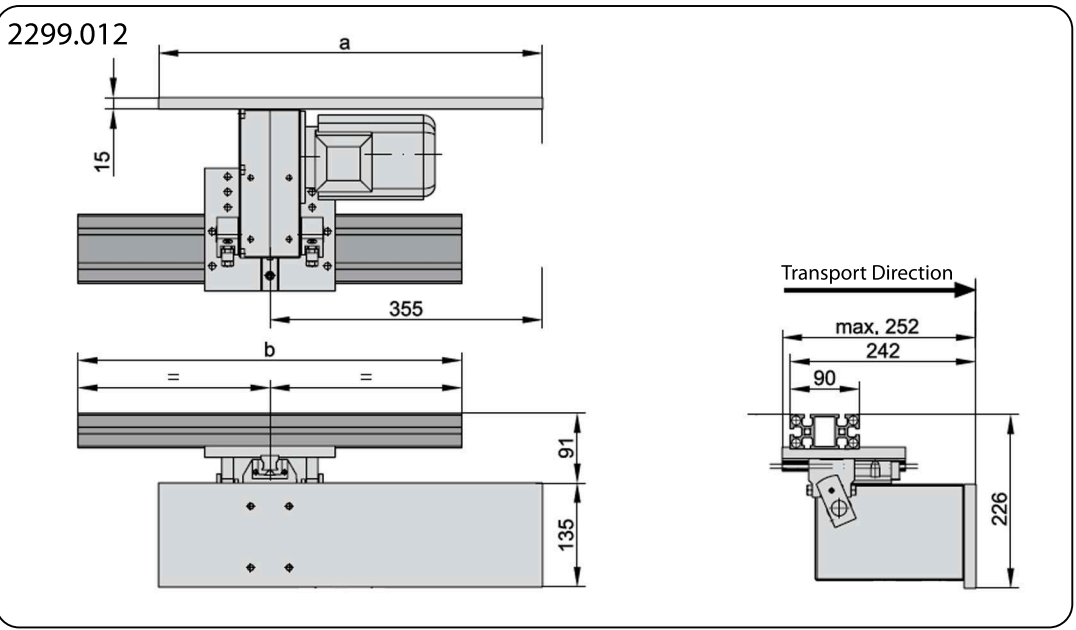
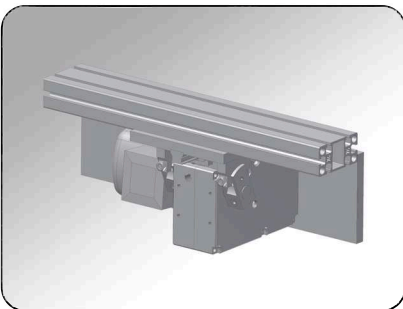
Note :

2299.011 Vertical meters with Alu-profile and mounting plate
 2299.012 Horizontal Feeder with Alu-profile and mounting plate



Note :

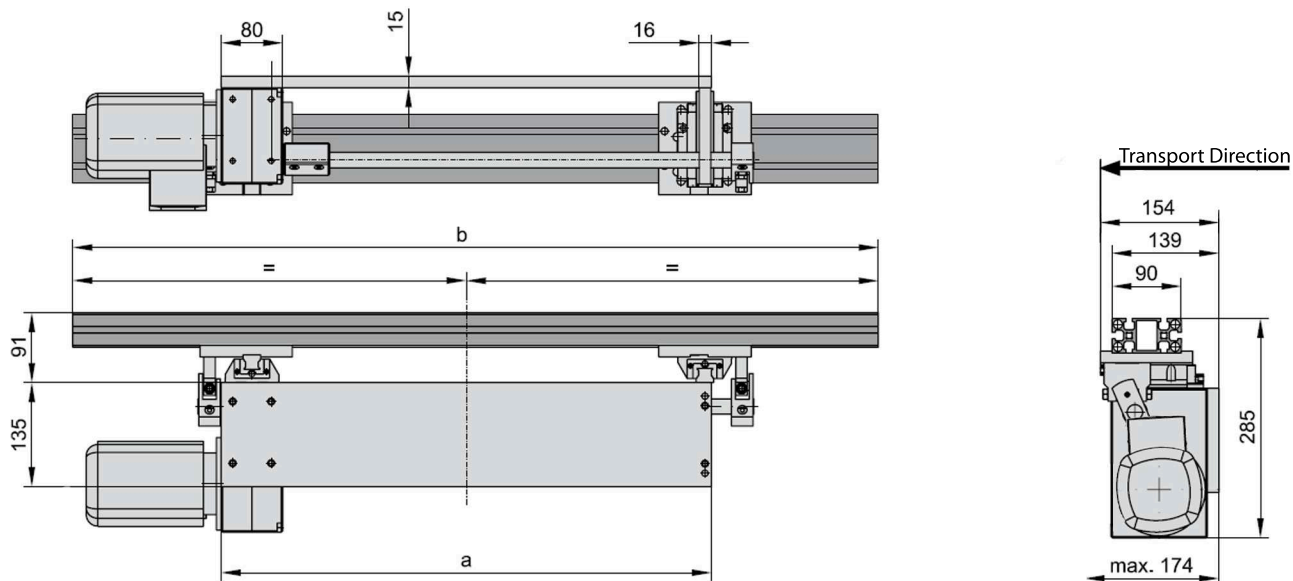
| | | | | | | | | | |
|-----|-----------------|-----|-----|-----|-----|------|------|------|-------------------------------|
| b | 500 | 600 | 700 | 800 | 900 | 1000 | 1100 | 1200 | Ordering Example |
| a | ● ● ● ● ● ● ● ● | | | | | | | | Transporter =2299 |
| 500 | | | | | | | | | Type = 011 |
| | | | | | | | | | b= 800 mm = 800 |
| | | | | | | | | | a= 500 mm = 0500 |
| | | | | | | | | | Order nr: = 2299.011.800.0500 |



| | | | | | | | | | |
|-----|-----------------|-----|-----|-----|-----|------|------|------|-------------------------------|
| b | 500 | 600 | 700 | 800 | 900 | 1000 | 1100 | 1200 | Ordering Example |
| a | ● ● ● ● ● ● ● ● | | | | | | | | Transporter =2299 |
| 500 | | | | | | | | | Type = 012 |
| | | | | | | | | | b= 800 mm = 800 |
| | | | | | | | | | a= 500 mm = 0500 |
| | | | | | | | | | Order nr: = 2299.012.800.0500 |

- 2299.121 Vertical meters with a parallel shaft and two controllers and mounting plate
- 2299.122 Horizontal meters with a parallel shaft and two controllers and mounting plate

2299.121



| b | 1300 | 1400 | 1500 | 1600 | 1700 | 1800 | 1900 | 2000 | 2100 | 2200 | 2300 | 2400 | 2500 | 2600 | 2700 | 2800 | 2900 | 3000 | |
|------|------|------|------|------|------|------|------|------|------|------|------|------|------|------|------|------|------|------|--|
| a | | | | | | | | | | | | | | | | | | | |
| 900 | ● | ● | ● | ● | ● | ● | | | | | | | | | | | | | |
| 1200 | | | | | | | ● | ● | ● | ● | ● | ● | | | | | | | |
| 1500 | | | | | | | | | | | | | ● | ● | ● | ● | ● | ● | |

Ordering Example

Transporter =2299

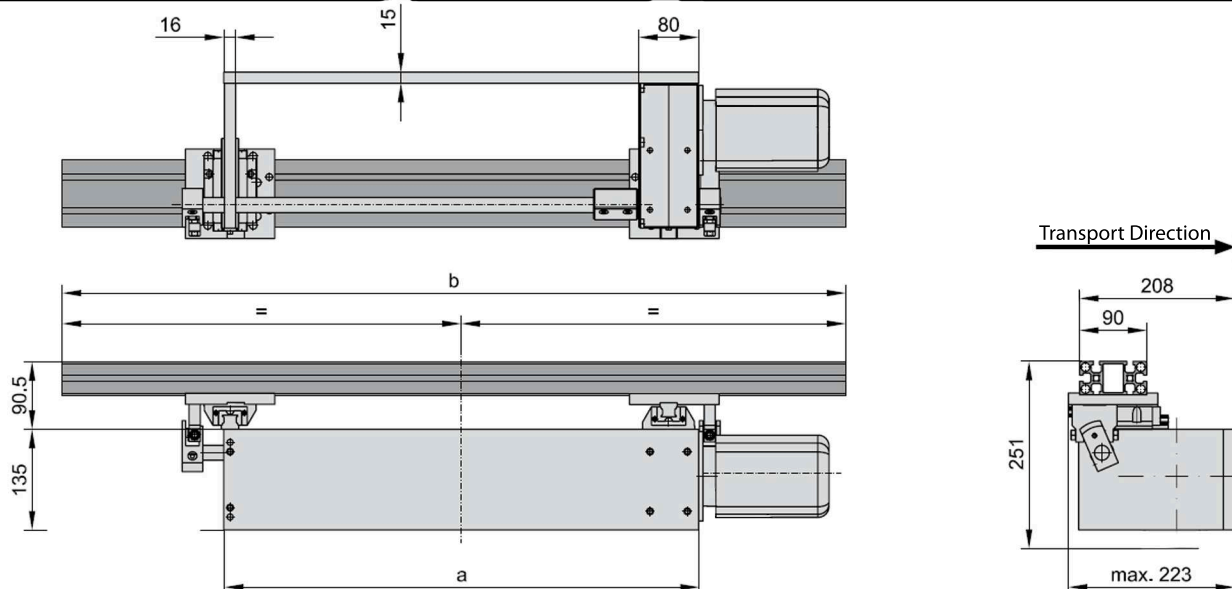
Type = 121.

$b=800$ mm = 1400.

$a=500$ mm = 900

Order nr: = 2299.121.1400.900

2299.122



| b | 1300 | 1400 | 1500 | 1600 | 1700 | 1800 | 1900 | 2000 | 2100 | 2200 | 2300 | 2400 | 2500 | 2600 | 2700 | 2800 | 2900 | 3000 | |
|------|------|------|------|------|------|------|------|------|------|------|------|------|------|------|------|------|------|------|--|
| a | | | | | | | | | | | | | | | | | | | |
| 900 | ● | ● | ● | ● | ● | ● | | | | | | | | | | | | | |
| 1200 | | | | | | | ● | ● | ● | ● | ● | ● | | | | | | | |
| 1500 | | | | | | | | | | | | | ● | ● | ● | ● | ● | ● | |

Ordering Example

Transporter =2299

Type = 121.

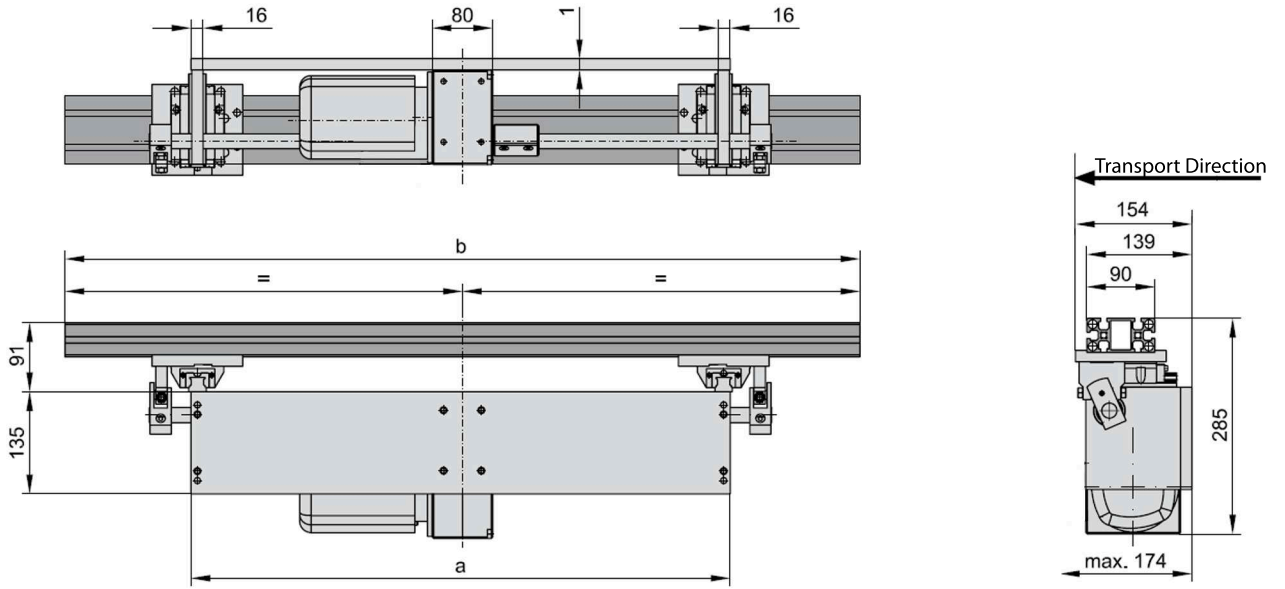
$b=800$ mm = 1400.

$a=500$ mm = 900

Order nr: = 2299.122.1400.900

2299.221 Vertical Feeder with two parallel axes,
two controllers and mounting plate
2299.222 Horizontal Feeder with two parallel axes,
two controllers and mounting plate

2299.221

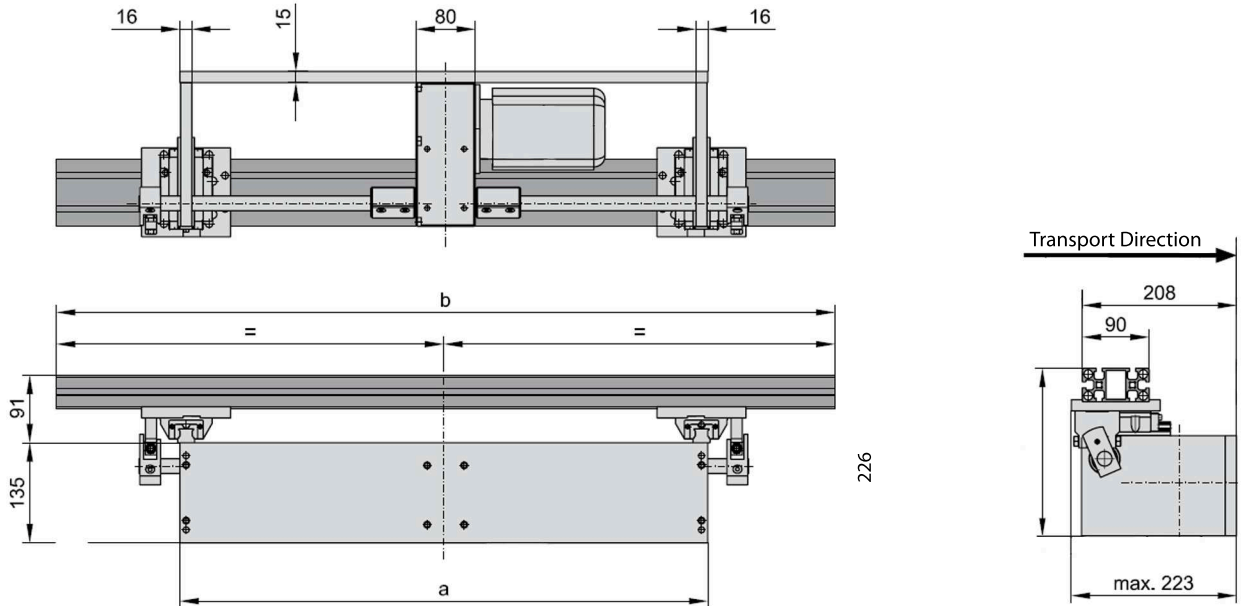


| | | | | | | | | | | | | | | | | | | | | | |
|------|------|------|------|------|------|------|------|------|------|------|------|------|------|------|------|------|------|------|------|------|---|
| b | 3100 | 3200 | 3300 | 3400 | 3500 | 3600 | 3700 | 3800 | 3900 | 4000 | 4100 | 4200 | 4300 | 4400 | 4500 | 4600 | 4700 | 4800 | 4900 | 5000 | |
| a | 1720 | ● | ● | ● | ● | ● | ● | ● | ● | ● | ● | ● | ● | ● | ● | ● | ● | ● | ● | ● | ● |
| 2320 | | | | | | | ● | ● | ● | ● | ● | ● | ● | ● | ● | ● | ● | ● | ● | ● | ● |
| 2920 | | | | | | | | | | | | | | ● | ● | ● | ● | ● | ● | ● | ● |

Ordering Example

Transporter =2299.
Type = 221.
b=3400mm = 3400.
a=1720mm = 1720
Order nr: = 2299.221.3400.1720

2299.222

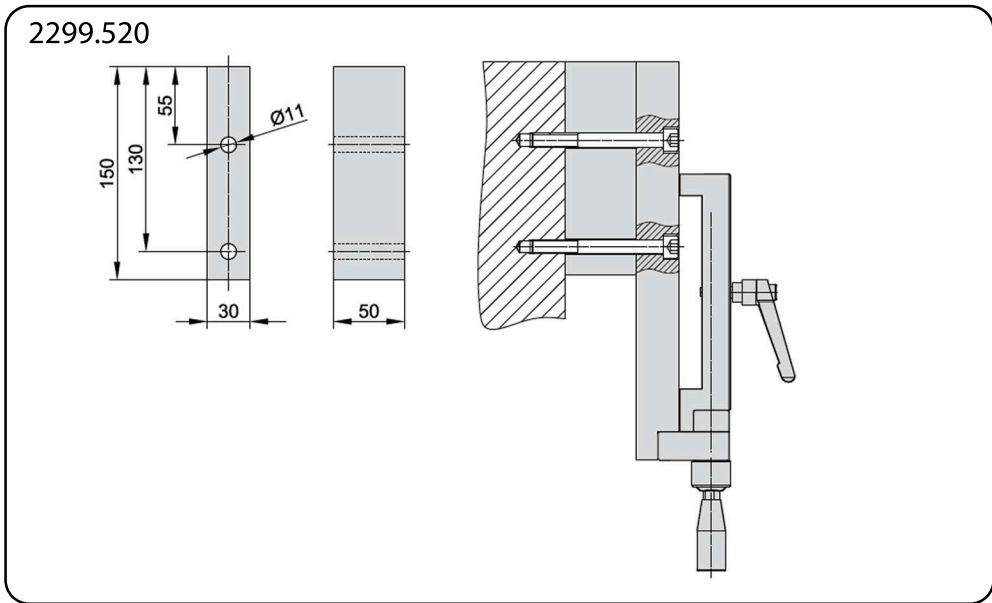
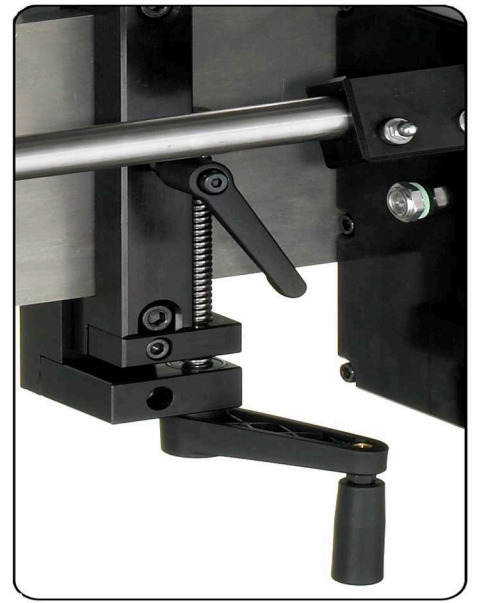
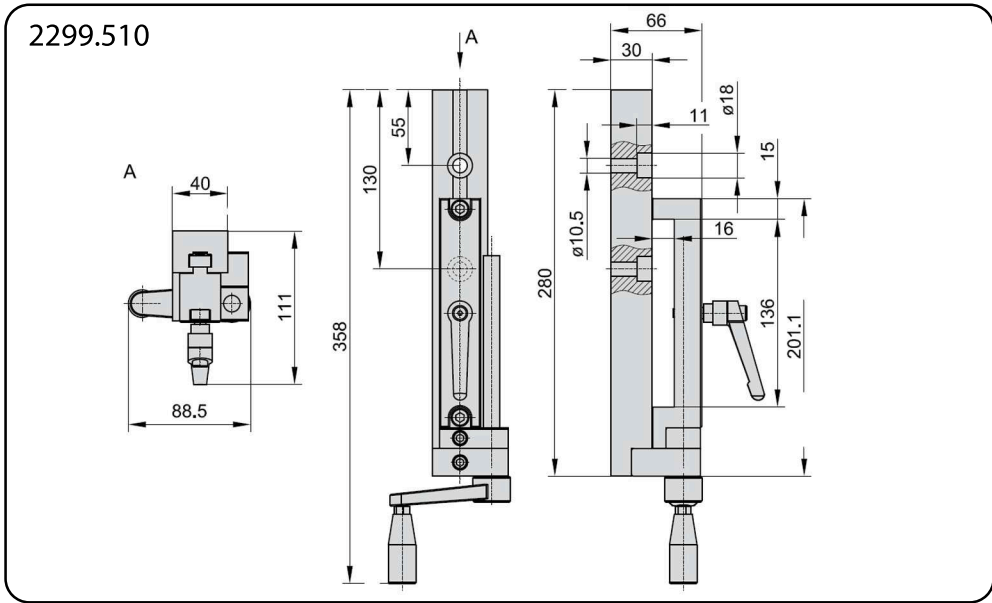


| | | | | | | | | | | | | | | | | | | | | | |
|------|------|------|------|------|------|------|------|------|------|------|------|------|------|------|------|------|------|------|------|------|---|
| b | 3100 | 3200 | 3300 | 3400 | 3500 | 3600 | 3700 | 3800 | 3900 | 4000 | 4100 | 4200 | 4300 | 4400 | 4500 | 4600 | 4700 | 4800 | 4900 | 5000 | |
| a | 1720 | ● | ● | ● | ● | ● | ● | ● | ● | ● | ● | ● | ● | ● | ● | ● | ● | ● | ● | ● | ● |
| 2320 | | | | | | | ● | ● | ● | ● | ● | ● | ● | ● | ● | ● | ● | ● | ● | ● | ● |
| 2920 | | | | | | | | | | | | | | ● | ● | ● | ● | ● | ● | ● | ● |

Ordering Example

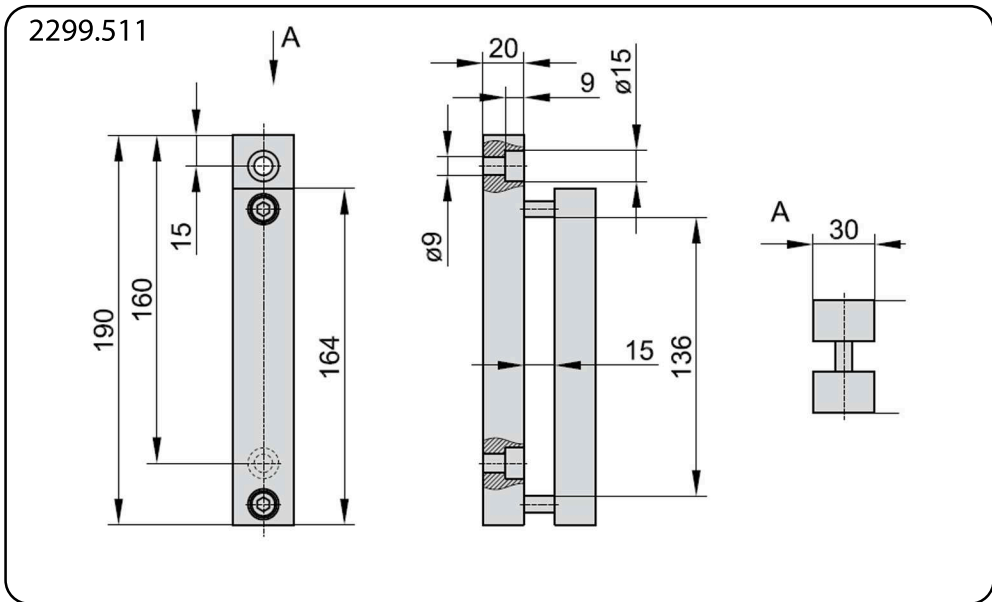
Transporter =2299.
Type = 222.
b=3400mm = 3400.
a=1720mm = 1720
Order nr: = 2299.222.3400.1720

- 2299.510 Mounting bracket Drop sections
- 2299.520 Mounting bracket set
- 2299.511 Distance to mount 2299.510



2299.510
Distance for fastening
element with weight
adjustment system

2299.520
Distance for 2299.510
delivers in pairs



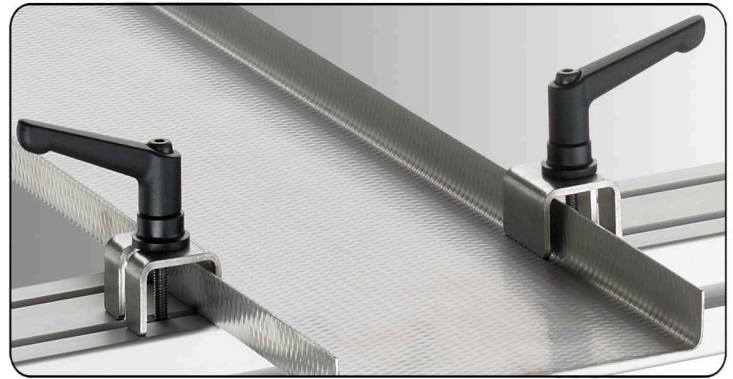
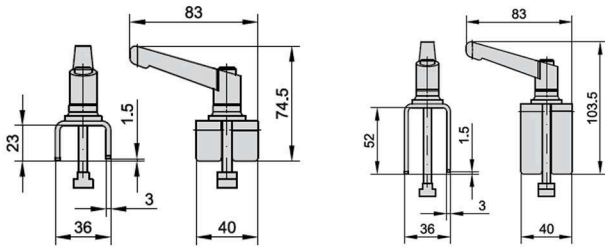
2299.511
Fastening element without
height adjustment
delivers in pairs

Fastening screws are not
included in scope of delivery

2299.540 Quick clamp for tray system
 2299.530 Universal angel bracket

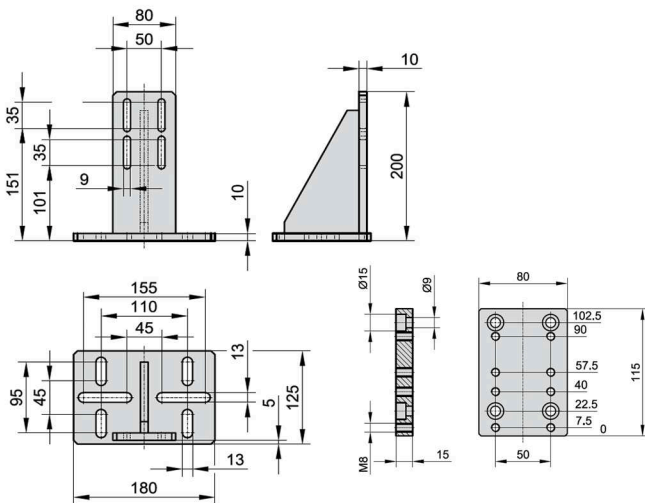
2299.540

2299.541



Quick clamp for tray
 2299.540 20mm edge
 2299.451 50 mm edge

2299.530



Universal bracket for mounting in an arbitrary Mode for 2299.001 , 2299.002

Fastening screws are not included.

