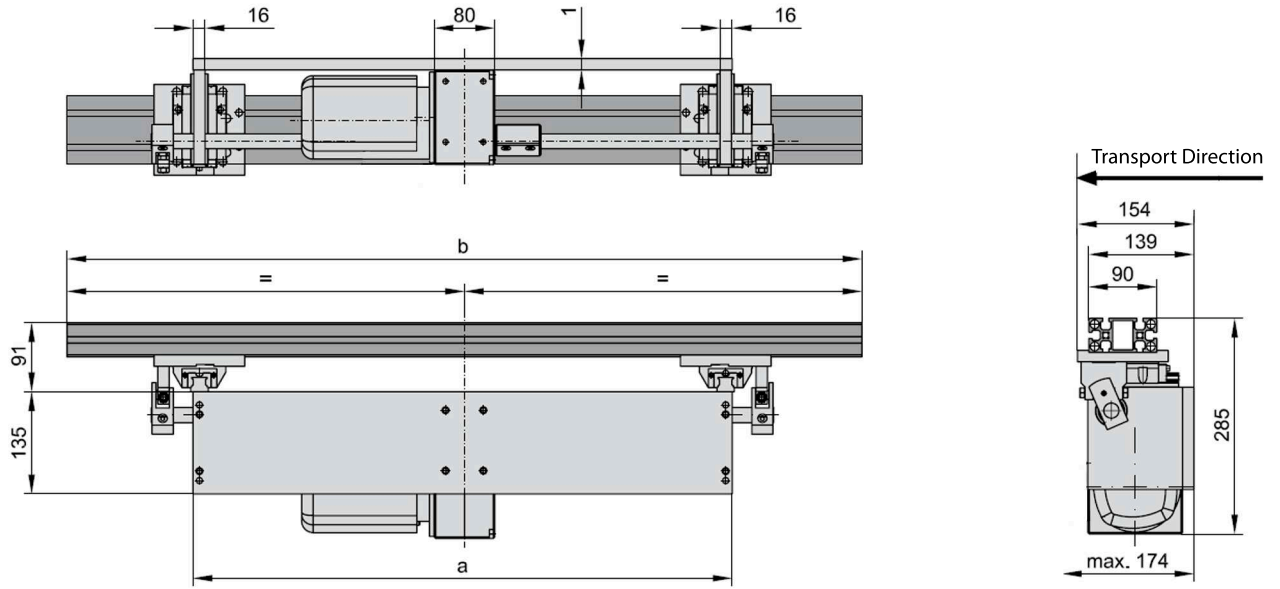


2299.221 Vertical Feeder with two parallel axes,
two controllers and mounting plate
2299.222 Horizontal Feeder with two parallel axes,
two controllers and mounting plate

2299.221



| | | | | | | | | | | | | | | | | | | | | | |
|------|------|------|------|------|------|------|------|------|------|------|------|------|------|------|------|------|------|------|------|------|---|
| b | 3100 | 3200 | 3300 | 3400 | 3500 | 3600 | 3700 | 3800 | 3900 | 4000 | 4100 | 4200 | 4300 | 4400 | 4500 | 4600 | 4700 | 4800 | 4900 | 5000 | |
| a | | | | | | | | | | | | | | | | | | | | | |
| 1720 | ● | ● | ● | ● | ● | ● | | | | | | | | | | | | | | | |
| 2320 | | | | | | | ● | ● | ● | ● | ● | ● | ● | | | | | | | | |
| 2920 | | | | | | | | | | | | | | ● | ● | ● | ● | ● | ● | ● | ● |

Ordering exampel

Transporter =2299.

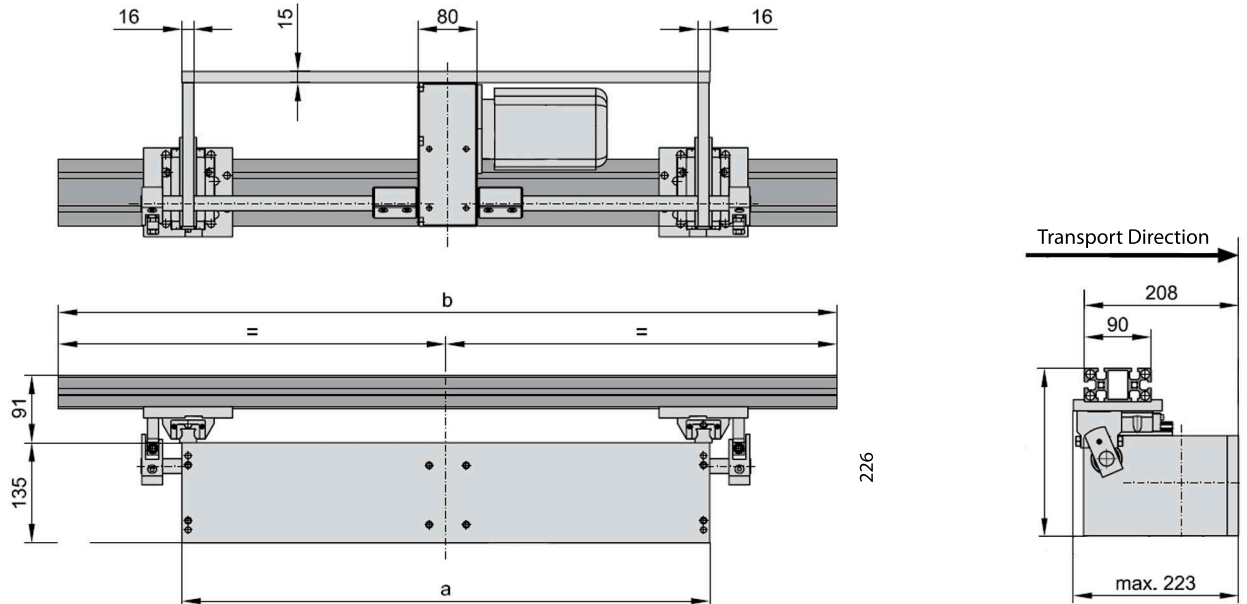
Type = 221.

b=3400mm = 3400.

a=1720mm = 1720

Order nr: = 2299.221.3400.1720

2299.222



| | | | | | | | | | | | | | | | | | | | | | |
|------|------|------|------|------|------|------|------|------|------|------|------|------|------|------|------|------|------|------|------|------|---|
| b | 3100 | 3200 | 3300 | 3400 | 3500 | 3600 | 3700 | 3800 | 3900 | 4000 | 4100 | 4200 | 4300 | 4400 | 4500 | 4600 | 4700 | 4800 | 4900 | 5000 | |
| a | | | | | | | | | | | | | | | | | | | | | |
| 1720 | ● | ● | ● | ● | ● | ● | | | | | | | | | | | | | | | |
| 2320 | | | | | | | ● | ● | ● | ● | ● | ● | ● | | | | | | | | |
| 2920 | | | | | | | | | | | | | | ● | ● | ● | ● | ● | ● | ● | ● |

Ordering exampel

Transporter =2299.

Type = 222.

b=3400mm = 3400.

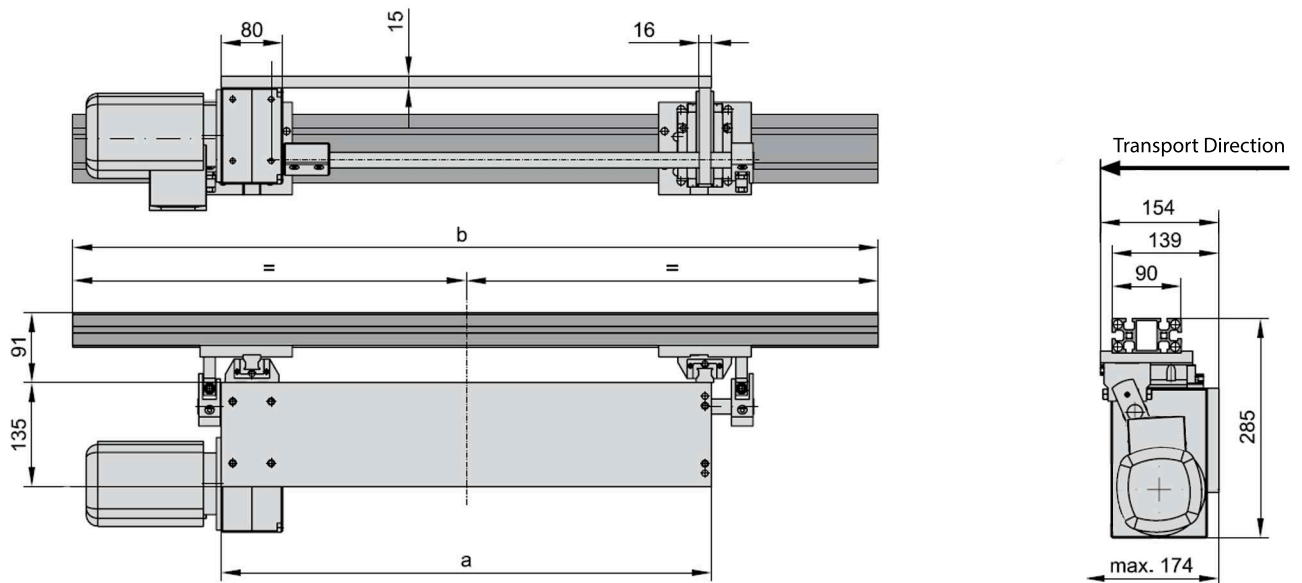
a=1720mm = 1720

Order nr: = 2299.222.3400.1720

2299.121 Vertical gear position with a parallel shaft and two controllers and mounting plate

2299.122 Horizontal gear position with a parallel shaft and two controllers and mounting plate

2299.121



| | |
|------|---|
| b | 1300 1400 1500 1600 1700 1800 1900 2000 2100 2200 2300 2400 2500 2600 2700 2800 2900 3000 |
| a | |
| 900 | ● ● ● ● ● ● |
| 1200 | ● ● ● ● ● ● |
| 1500 | ● ● ● ● ● ● |

Ordering exempel

Transpoter =2299

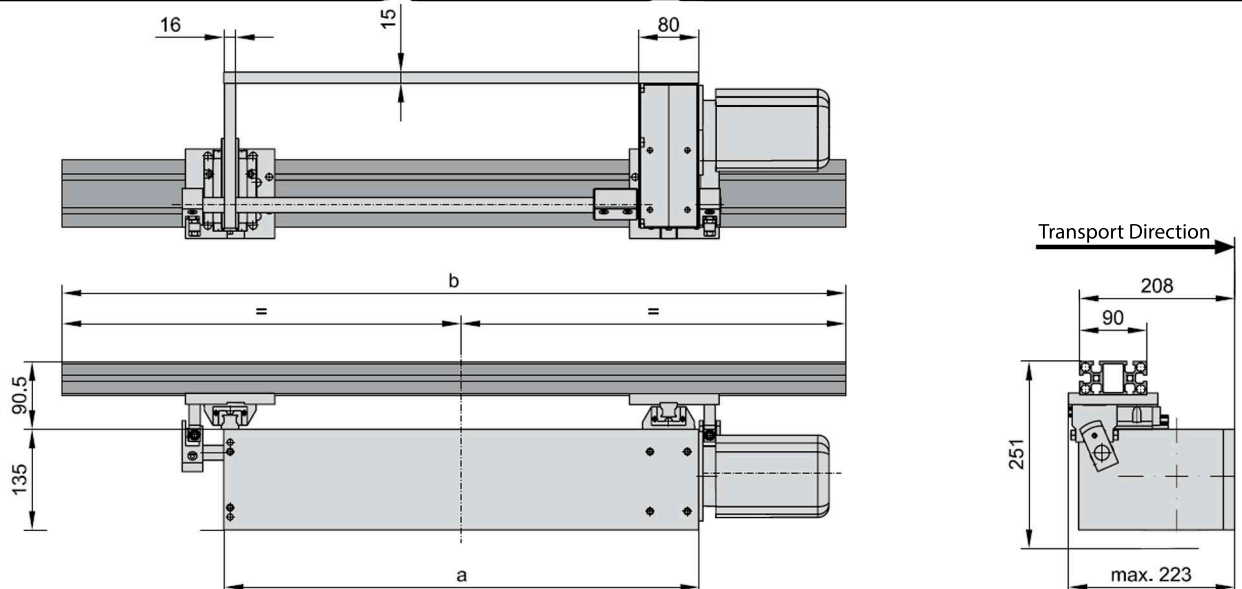
Type = 121.

b=1400mm = 1400

a=900mm = 900

Order nr: = 2299.121.1400.900

2299.122



| | |
|------|---|
| b | 1300 1400 1500 1600 1700 1800 1900 2000 2100 2200 2300 2400 2500 2600 2700 2800 2900 3000 |
| a | |
| 900 | ● ● ● ● ● ● |
| 1200 | ● ● ● ● ● ● |
| 1500 | ● ● ● ● ● ● |

Ordering exempel

Transporter =2299

Type = 122.

b=1400mm = 1400

a=900mm = 900

Order nr: = 2299.122.1400.900